

# ACE

# FORKLIFTS

## Forklifts

Capacity : 12 - 20 tonnes

High Performance and rugged  
Forklift Trucks.

**ACE** **INDIA'S NO. 1**  
MOBILE & TOWER CRANE CO.



*Nothing beats an **ACE***



## SPECIFICATIONS

Model	Unit	AF 120D	AF 160D	AF 200D		
<b>Load Capacity</b>	Kg.	12000	16000	20000		
<b>Load Center</b>	mm	600	1220	1220		
<b>Power</b>		Diesel				
<b>Tyres</b>	Front / Rear	Pneumatic				
<b>Wheel (s)</b>	Front / Rear	4/2				
<b>Fork Size (LxWxT)</b>	mm	1220X180X100	2440X180X110	2440X260X110		
<b>Tilt Angle ( α - β )</b>	deg	6° - 12°				
<b>Turning Radius (Outside)</b>	mm	4450	5800	5800		
<b>Right Angle Stacking Aisle Width</b> (Add Load length and Clearance)	mm	4200	7920	8575		
<b>Speed (s)</b>	Travel (Fwd / Rvs)	With Load	Km/h	25/10	26	24
		Without Load	Km/h	30/12	30	28
	Lifting	With Load	mm/s	290	260	240
		Without Load	mm/s	330	300	300
	Lowering	With Load	mm/s	400	≤500	≤500
		Without Load	mm/s	400	≤500	≤500
<b>Gradeability</b>	With / Without Load	%	20	20	20	
<b>Total Weight</b>		Kg	14500	23000	27500	
<b>Weight Distribution</b>	With Load	Front	Kg	23500	33300	42300
		Rear	Kg	3000	5700	5200
	Without Load	Front	Kg	6300	10400	12400
		Rear	Kg	8200	12600	15100
<b>Tyre Sizes</b>	Front		9.00-20/14PR	4x12.00-24/18PR	4x14.00-24/24PR	
	Rear		9.00-20/14PR	2x12.00-20/18PR	2x14.00-20/24PR	
<b>Brake (s)</b>	Service		Hydraulic	Caliper disc brake		
	Parking		inside expanding manual brake			
<b>Battery</b>	Voltage / Capacity	V / AH	(12V/80Ah)x2	2x12V / 120		
<b>Engine</b>	Rated Horsepower	bhp/r.p.m	130HP@ 2200	190 HP@ 2200	215 HP@ 2200	
	Rated Torque	N.m(Kg.m)/r.p.m	560/1500	800/1500	908/1500	
	Number of Cylinders	Nos.	6	6	6	
	Displacement	Ltrs.	5.9	5.9	8.3	
	Fuel Tank Capacity	Ltrs.	150	300	300	
	Make/Model		Cummins 6BTAA5.9-C130	Cummins 6BTAA5.9-C190	Cummins 6CTA8.3-C215	
<b>Transmission</b>	Number of Speeds - Fwd / Rvs		2F/2R	2F/1R		
			2F/2R	2F/1R		
<b>Operating Pressure</b>	For Attachment	Kg / cm <sup>2</sup>	5Mpa	180		

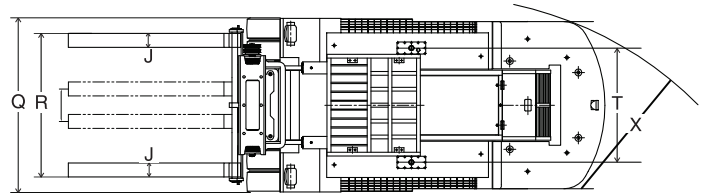
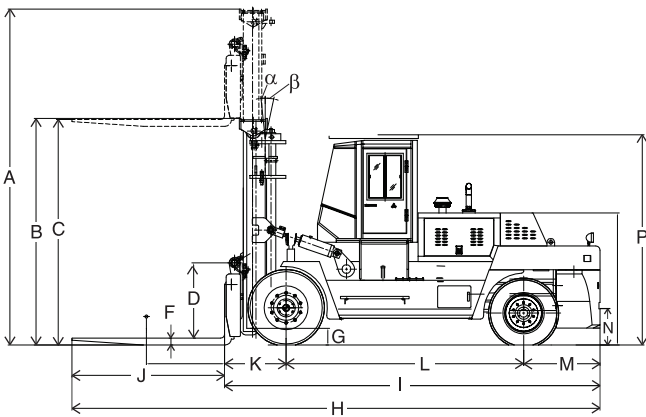
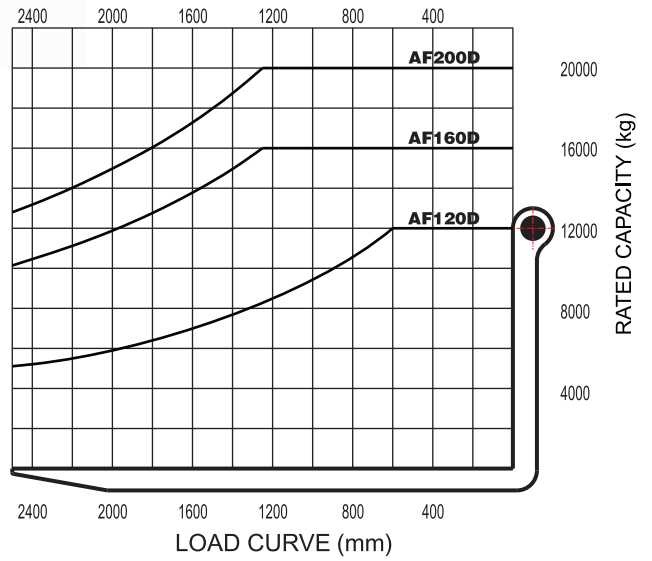
### Standard Equipment

- ü ROPS Cabin with AC
- ü Fork Positioner
- ü Lights
- ü Joystic control
- ü Wide view Mast
- ü Standard forks
- ü Power steering
- ü Standard seat (adjustable)
- ü Turn indicator lights
- ü Hour meter
- ü Rear view mirrors

### Optional Equipment

- ü Solid cushion tyres
- ü Different mast heights
- ü Side shifter-cum-Fork positioner (in lieu of Fork positioner)
- ü Canopy (in lieu of AC cabin)



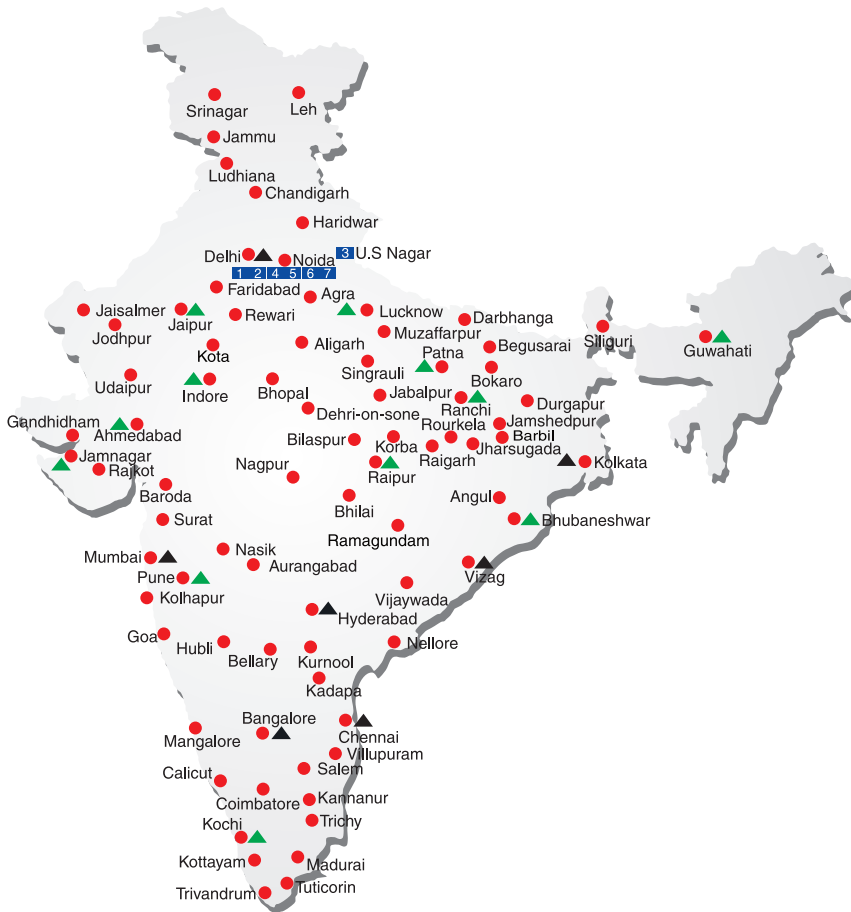


## STANDARD DIMENSIONS

Model	AF 120D	AF 160D	AF 200D
	mm	mm	mm
A. Overall height form raised	5040	5395	5370
B. Max. fork height (Standard Model)	3500		
C. Overall height fork lowered	3350	3625	3600
D. Backrest height (from upper face of forks)	1010	970	960
E. Free lift	230	—	—
F. Fork thickness	100	110	110
G. Min. clearance (bottom of mast)	250	235	250
H. Overall length (with forks)	5915	8220	8540
I. Overall length (without forks)	4700	5780	6100
J. Fork length	1220	2440	2440
K. Front overhang	770	917	975
L. Wheel base	3200	3800	4000
M. Rear overhang	730	1130	1275
N. Coupler height	450	1585	1832
O. Overhead guard clearance (from face to seat)	1110	1050	1050
P. Overall height (overhead guard)	2590	3360	3580
Q. Overall width	2200	2750	3020
R. Lateral fork adjustment	420-2080	666-2264	808-2264
S. Tread (front)	9.00-20/14PR	2060	2200
T. Tread (rear)	9.00-20/14PR	2330	2390
U. Fork width	180	180	260
V. Inside turning radius	500	790	760
W. Outside turning radius	4450	5800	5800
X. Min. intersecting aisle	4200	4600	5000
Y. Tiltng angles ( $\alpha-\beta$ )	6° – 12°		

\*RASA = Right Angle Stacking Aisle, a = Clearance, b = Load Length

# ALL INDIA NETWORK



**CUSTOMER CARE**  
**TOLL FREE No**  
**1800 1800 004**

- WORKS
- ▲ REGIONAL OFFICES
- ▲ AREA OFFICES
- SALES AND SERVICE DEALERS



**MARKETING H.Q.**  
 4th Floor, Pinnacle, Surajkund, NCR-121009  
 Ph. : +91-129-4550000, Fax : +91-129-4550022  
 E-mail: marketing@ace-cranes.com, forklifts@ace-cranes.com

**REGISTERED OFFICE**  
 Dudhola Link Road, Dudhola, Palwal-121102, Haryana  
 Ph.: +91-1275-280111, Fax: +91-1275-280133  
 CIN : L74899HR1995PLC053860

**MUMBAI OFFICE**  
 31, "Kalpataru Court", Chembur, Mumbai - 400074  
 Ph.: +91-22-25206846, 25207070, Fax: +91-22-25207071  
 E-mail: acemumbai@ace-cranes.com

**KOLKATA OFFICE**  
 "Forma Towers" 84-A, Second Floor, AJC Bose Road,  
 Kolkata - 700014, Ph.: +91-33-65012050  
 E-mail: acekolkata@ace-cranes.com

**CHENNAI OFFICE**  
 1st Floor, "Alsa Regency", 165, Eldams Road,  
 Alwar Pet, Chennai - 600018  
 Ph.: +91-44-24314253, Fax: +91-44-24314252  
 E-mail: acechennai@ace-cranes.com



**Action Construction Equipment Ltd.**

Contact:



ACE reserves the right to alter any specifications without prior notice. Dimensions, weights & capacities mentioned herein are variable by ± 5%. Accessories if shown are not part of the Standard Equipment.



www.ace-cranes.com